



Holding frame and equipment for filter walls



Applications

- Construction and reconstruction of air conditioning plants. For applications with demanding operating conditions, e.g. in automotive industry or in air conditioning and ventilation technology
- Easy and quick handling through tension spring fastener

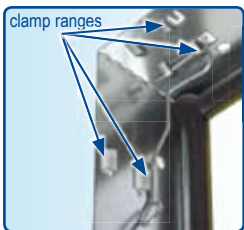
Versions

- Galvanized steel or high grade steel (V2A)
- Optional with foamed hygiene-gasket
- Optional with vacuity-gasket
- Optional with M6 x 10 screw- and screw nuts
- Optional with groove for clip-on installation
- All current standard sizes
- Special sizes on request

Material characteristics

- Leak-free sealing of the filter units
- Stable and solid construction
- Free from lacquer harming substances
- Hygiene-gasket according to VDI 6022
- Lacquer compatibility according to IPA-control

Benefits of VOLZ Filters



Filter combinations

- **Several clamp ranges:**
- 20 mm and 25 mm
- 48 mm and 50 mm



Optimal adjustment

- Conical stampings enable an easy installation and centring of the filter. Therefore you get an optimal adjustment and sealing of the filter



Hygiene-gasket (optional)

- Hygiene-gasket on holding frame
- Abrasion-resistant, silicone-free, closed porous

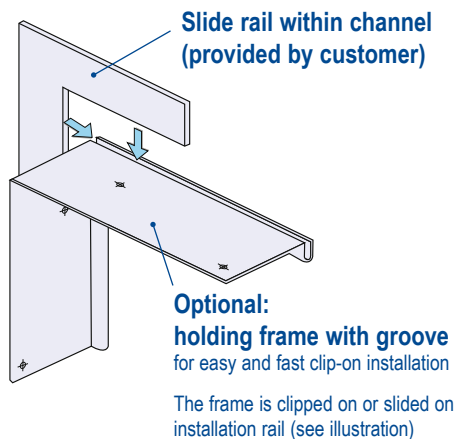
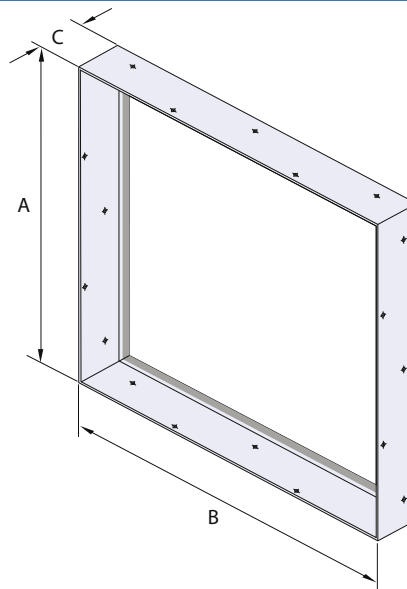


- Holding frame and equipment are produced in our plant in Germany
- Quality control of the complete production with internal filter test equipment and modern quality-management-tools

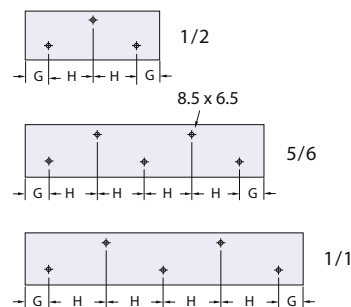


Standard versions holding frame

Format	A	B	C	G	H
Dimensions in mm					
1/1	610	610	70	55	125
5/6	610	508	70	55	99.5
1/2	610	305	70	55	99.5
1/4	305	305	70	55	99.5

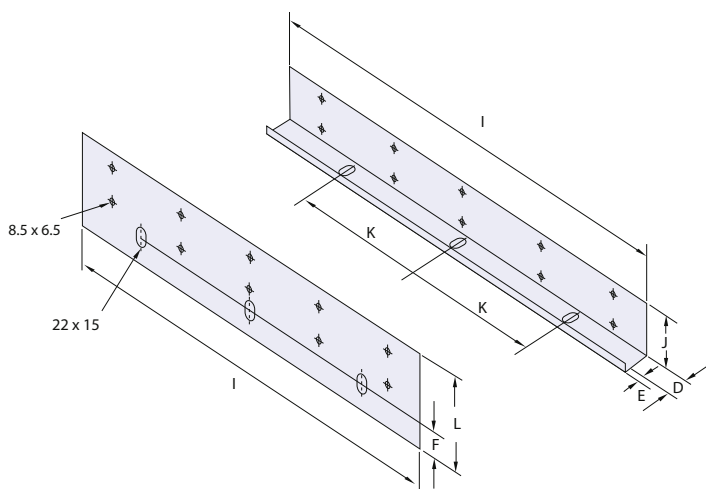


Details of hole pattern:



Modular installation system – fittings and stabilization sheets

Filter combinations	1 x 1/1	1 x 1/1	2 x 1/1	2 x 1/1	3 x 1/1	3 x 1/1	4 x 1/1	4 x 1/1	5 x 1/1
		1 x 1/2	1 x 5/6		1 x 1/2		1 x 1/2		1 x 1/2
l in mm	915	1118	1220	1525	1830	2135	2440	2745	3050



Dimensions of fittings and stabilization sheets:

- I = see table above
- J = 77 [mm] D = 40 [mm]
- K = 200 [mm] E = 2 [mm]
- L = 126 [mm] F = 29 [mm]

Hole patterns of fittings and stabilization sheets are compatible with hole patterns of holding frames

Information: Wall thickness of holding frames, fittings and stabilization sheets averages 1.25 mm in standard version in galvanized steel

VOLZ Luftfilter GmbH & Co. KG

Robert-Bosch-Straße 25 Phone: +49 - (0)7451 - 5516 - 0 info@volzfilters.com
 D-72160 Horb am Neckar Fax: +49 - (0)7451 - 5516 - 120 www.danfilter.dk

All information, images and pictures are property of VOLZ Luftfilter GmbH & Co. KG and are provided to the best knowledge. However VOLZ Luftfilter GmbH & Co. KG does not guarantee the completeness or correctness and cannot be held responsible for damages caused by the recipient's usage or his confidence in the completeness or correctness of the information. The stated data contains average values with tolerances as a result of production irregularities; therefore it does not relieve the recipient of own examination and tests. For the correctness of the information in particular cases, an explicit and written affirmation through VOLZ Luftfilter GmbH & Co. KG is required. Furthermore, the data serves as a service description and cannot be interpreted as warranted properties or durabilities.